



**INTERNATIONAL STANDARD ISO 11406:2001**  
**TECHNICAL CORRIGENDUM 1**

Published 2005-01-15

INTERNATIONAL ORGANIZATION FOR STANDARDIZATION • МЕЖДУНАРОДНАЯ ОРГАНИЗАЦИЯ ПО СТАНДАРТИЗАЦИИ • ORGANISATION INTERNATIONALE DE NORMALISATION

**Commercial road vehicles — Mechanical coupling between  
towing vehicles with rear-mounted coupling and drawbar  
trailers — Interchangeability**

**TECHNICAL CORRIGENDUM 1**

*Véhicules routiers utilitaires — Accouplement mécanique entre véhicules tracteurs à dispositif d'attelage  
arrière et remorque à train avant directeur — Interchangeabilité*

*RECTIFICATIF TECHNIQUE 1*

Technical Corrigendum 1 to ISO 11406:2001 was prepared by Technical Committee ISO/TC 22, *Road vehicles*, Subcommittee SC 15, *Interchangeability of components of commercial vehicles and buses*.

---

*Page 3*

Please replace Figure 2 with the following:

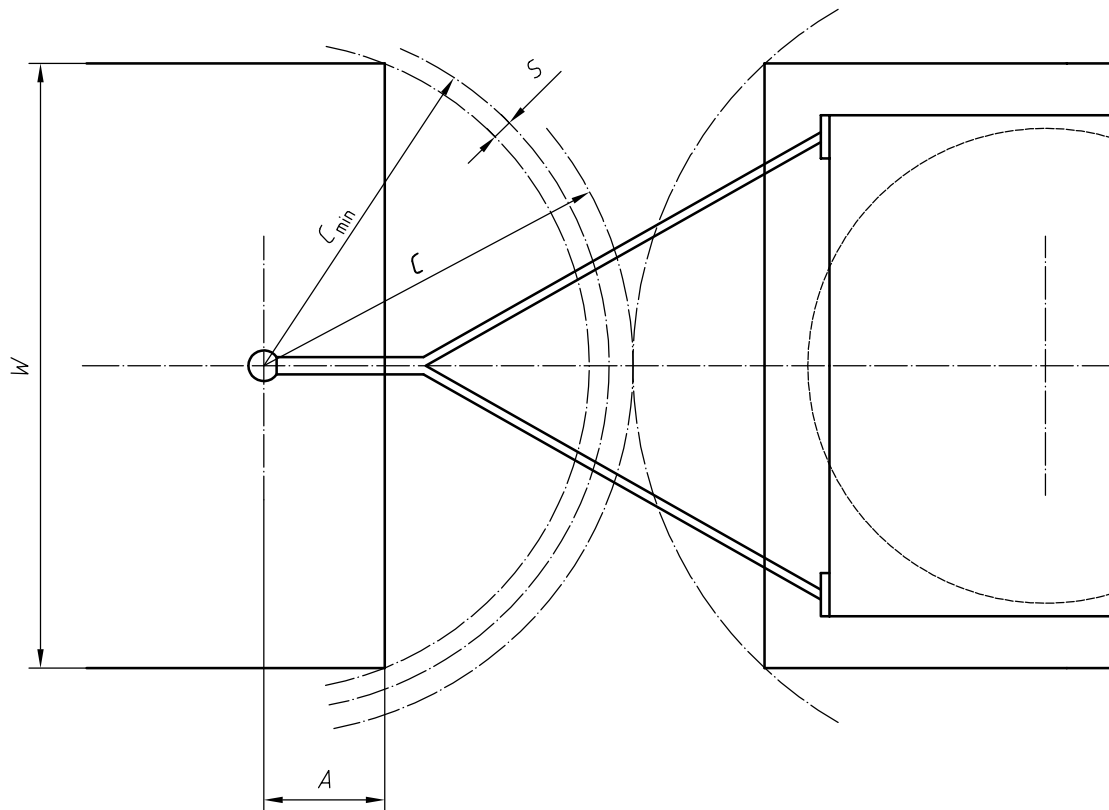


Figure 2 — Front corner radius of trailer