

EUROPEAN STANDARD

EN 1993-5:2007/AC

NORME EUROPÉENNE

May 2009

EUROPÄISCHE NORM

Mai 2009

Mai 2009

ICS 91.010.30; 91.080.10

English version
Version Française
Deutsche Fassung

Eurocode 3 - Design of steel structures - Part 5: Piling

Eurocode 3 - Calcul des structures en acier
- Partie 5: Pieux et palplanches

Eurocode 3 - Bemessung und Konstruktion
von Stahlbauten - Teil 5: Pfähle und
Spundwände

This corrigendum becomes effective on 13 May 2009 for incorporation in the three official language versions of the EN.

Ce corrigendum prendra effet le 13 mai 2009 pour incorporation dans les trois versions linguistiques officielles de la EN.

Die Berichtigung tritt am 13.Mai 2009 zur Einarbeitung in die drei offiziellen Sprachfassungen der EN in Kraft.



EUROPEAN COMMITTEE FOR STANDARDIZATION
COMITÉ EUROPÉEN DE NORMALISATION
EUROPÄISCHES KOMITEE FÜR NORMUNG

Management Centre: Avenue Marnix 17, B-1000 Brussels

© 2009 CEN All rights of exploitation in any form and by any means reserved worldwide for CEN national Members.
Tous droits d'exploitation sous quelque forme et de quelque manière que ce soit réservés dans le monde entier aux membres nationaux du CEN.
Alle Rechte der Verwertung, gleich in welcher Form und in welchem Verfahren, sind weltweit den nationalen Mitgliedern von CEN vorbehalten.

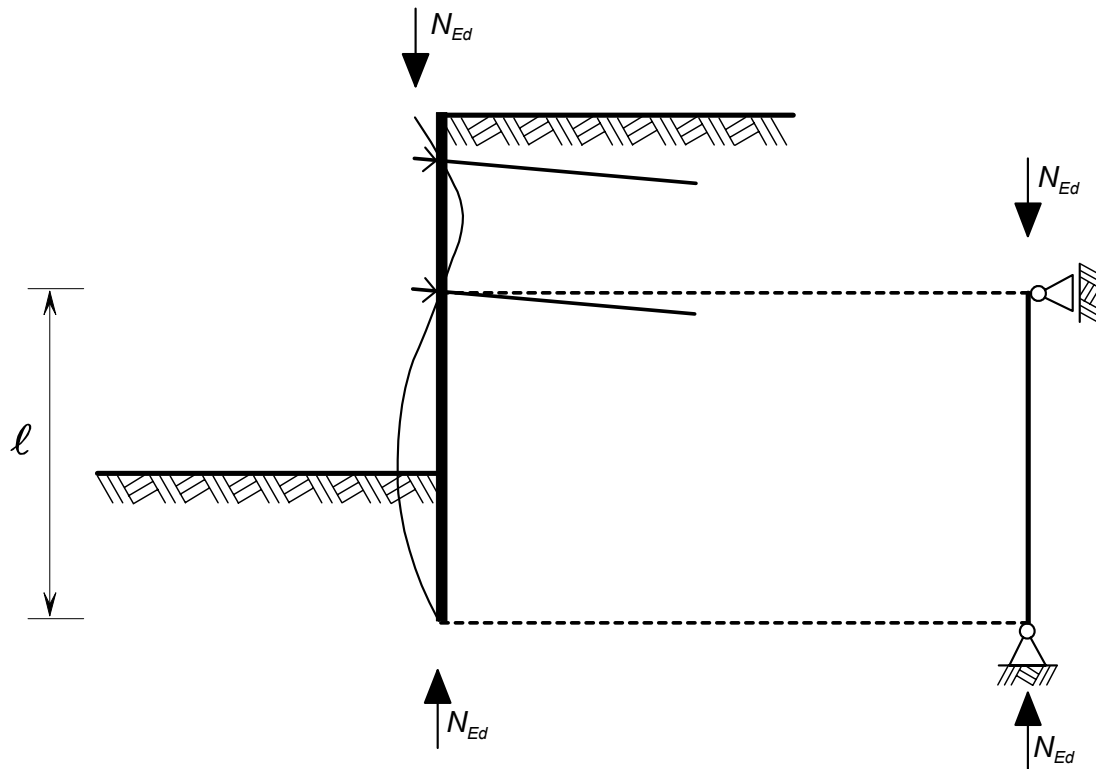
Ref. No.:EN 1993-5:2007/AC:2009 D/E/F

1) Modifications to 5.2.3

Paragraph "(6)", last sentence, replace "an additional pile length h according" with "an additional pile length Δh according".

Paragraph "(8)", replace "Figure 5-2" with the following one:

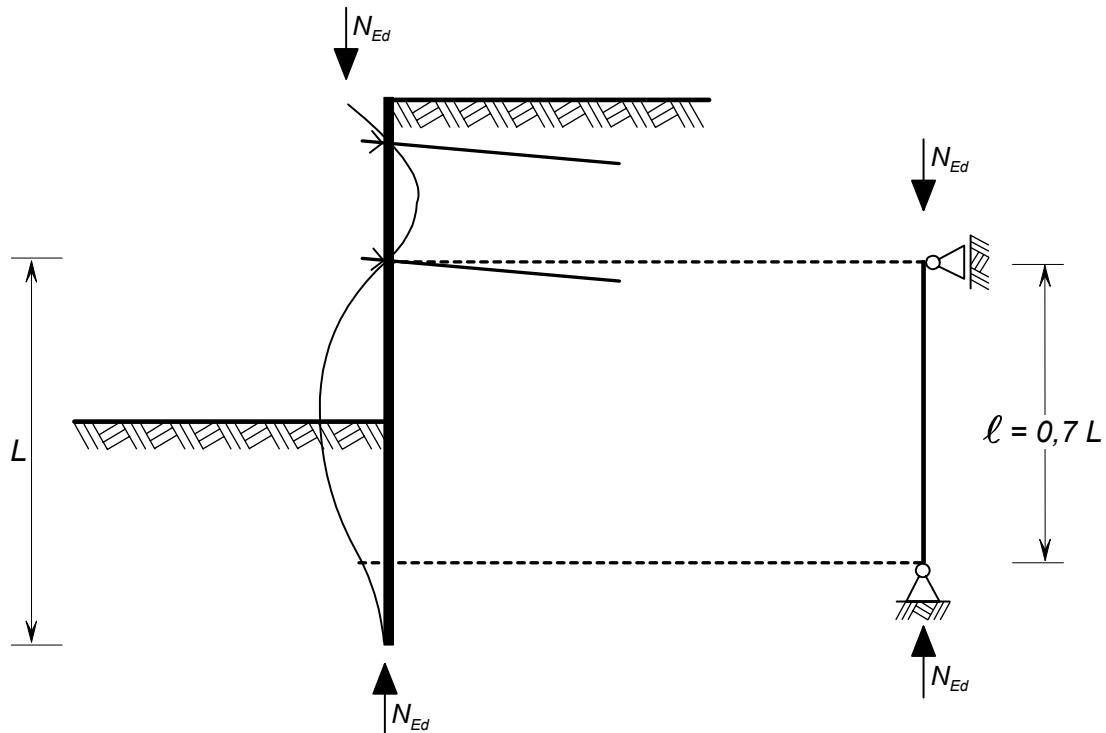
"



".

Paragraph "(8)", replace "Figure 5-3" with the following one:

"



."

2) Modifications to 5.2.5

Paragraph "(14)", Equation "(5.25)", replace " $F_{tc,Ed}$ " with " $F_{tm,Ed}$ ".

Paragraph "(14)", lines just under under Equation "(5.25)", 2nd line under "where:", replace " $F_{tc,Ed}$ " with " $F_{tm,Ed}$ ".

Paragraph "(14)", Equation "(5.26)", replace " $F_{tc,Ed}$ " with " $F_{tm,Ed}$ ".

Paragraph "(14)", Equation "(5.27)", replace " φ_d " with " φ_k ".

Paragraph "(14)", 1st line above "NOTE 1", replace " φ_d is the design value" with " φ_k is the characteristic value".

3) Modification to 5.3.3

Paragraph "(7)P", "Figure 5-8", replace:

- "1,0 connection B fixed and pinned
- 0,7 connection B fixed and restrained
- 2,0 connection B non fixed, but restrained"

with:

"1,0	connection B translation fixed and rotation free
0,7	connection B translation fixed and rotation fixed
2,0	connection B translation free and rotation fixed".

4) Modification to 7.1

Paragraph "(4)", replace " $\gamma_{Mt,ser}$ " with " $\gamma_{M3,ser}$ ".

5) Modifications to 7.2.3

Paragraph "(2)", replace the text of "NOTE 1" with: " k_t may be given in the National Annex. The recommended value for k_t is $k_t=0,6$. This is motivated for cases where possible bending in the anchor as an effect of actions is not made explicit. Only in cases where the structural detailing of the location where the anchor rod is joined to the wall is such that bending moments are avoided at that location, the recommended value for k_t may be chosen as $k_t=0,9$."

Paragraph "(4)", delete the whole Paragraph.

Paragraph "(5)", replace paragraph number "(5)" with "(4)".

Paragraph "(6)", replace paragraph number "(6)" with "(5)".

Paragraph "(7)", replace paragraph number "(7)" with "(6)".

Paragraph "(8)", replace paragraph number "(8)" with "(7)".