

**Connections for heating and cooling appliances -
Detachable connection with outside threaded pipe G 3/4
A and inside cone**

This document is a preview generated by EVS

EESTI STANDARDI EESSÕNA

NATIONAL FOREWORD

See Eesti standard EVS-EN 16313:2013 sisaldab Euroopa standardi EN 16313:2013 ingliskeelset teksti.	This Estonian standard EVS-EN 16313:2013 consists of the English text of the European standard EN 16313:2013.
Standard on jõustunud sellekohase teate avaldamisega EVS Teatajas.	This standard has been endorsed with a notification published in the official bulletin of the Estonian Centre for Standardisation.
Euroopa standardimisorganisatsioonid on teinud Euroopa standardi rahvuslikele liikmetele kättesaadavaks 29.05.2013.	Date of Availability of the European standard is 29.05.2013.
Standard on kättesaadav Eesti Standardikeskusest.	The standard is available from the Estonian Centre for Standardisation.

Tagasisidet standardi sisu kohta on võimalik edastada, kasutades EVS-i veebilehel asuvat tagasiside vormi või saates e-kirja meiliaadressile standardiosakond@evs.ee.

ICS 91.140.10

Standardite reprodutseerimise ja levitamise õigus kuulub Eesti Standardikeskusele

Andmete paljundamine, taastekitamine, kopeerimine, salvestamine elektroonsesse süsteemi või edastamine ükskõik millises vormis või millisel teel ilma Eesti Standardikeskuse kirjaliku loata on keelatud.

Kui Teil on küsimusi standardite autorikaitse kohta, võtke palun ühendust Eesti Standardikeskusega:
Aru 10, 10317 Tallinn, Eesti; www.evs.ee; telefon 605 5050; e-post info@evs.ee

The right to reproduce and distribute standards belongs to the Estonian Centre for Standardisation

No part of this publication may be reproduced or utilized in any form or by any means, electronic or mechanical, including photocopying, without a written permission from the Estonian Centre for Standardisation.

If you have any questions about copyright, please contact Estonian Centre for Standardisation:
Aru 10, 10317 Tallinn, Estonia; www.evs.ee; phone 605 5050; e-mail info@evs.ee

ICS 91.140.10

English Version

Connections for heating and cooling appliances - Detachable connection with outside threaded pipe G 3/4 A and inside cone

Raccords pour appareils de chauffage et de refroidissement - Raccords démontables à filetage extérieur cylindrique G 3/4 A et cône intérieur

Anschlüsse für Heiz- und Kühlsysteme - Lösbare Verbindung mit Rohraußengewinde G 3/4 A und Innenkonus

This European Standard was approved by CEN on 11 April 2013.

CEN members are bound to comply with the CEN/CENELEC Internal Regulations which stipulate the conditions for giving this European Standard the status of a national standard without any alteration. Up-to-date lists and bibliographical references concerning such national standards may be obtained on application to the CEN-CENELEC Management Centre or to any CEN member.

This European Standard exists in three official versions (English, French, German). A version in any other language made by translation under the responsibility of a CEN member into its own language and notified to the CEN-CENELEC Management Centre has the same status as the official versions.

CEN members are the national standards bodies of Austria, Belgium, Bulgaria, Croatia, Cyprus, Czech Republic, Denmark, Estonia, Finland, Former Yugoslav Republic of Macedonia, France, Germany, Greece, Hungary, Iceland, Ireland, Italy, Latvia, Lithuania, Luxembourg, Malta, Netherlands, Norway, Poland, Portugal, Romania, Slovakia, Slovenia, Spain, Sweden, Switzerland, Turkey and United Kingdom.



EUROPEAN COMMITTEE FOR STANDARDIZATION
COMITÉ EUROPÉEN DE NORMALISATION
EUROPÄISCHES KOMITEE FÜR NORMUNG

Management Centre: Avenue Marnix 17, B-1000 Brussels

Contents

Page

Foreword.....	3
Introduction	4
1 Scope	5
2 Normative references	5
3 Dimensions and designs	5
4 Functions and requirements	6
Bibliography.....	7

Foreword

This document (EN 16313:2013) has been prepared by Technical Committee CEN/TC 130 "Space heating appliances without integral heat sources", the secretariat of which is held by UNI.

This European Standard shall be given the status of a national standard, either by publication of an identical text or by endorsement, at the latest by November 2013, and conflicting national standards shall be withdrawn at the latest by November 2013.

Attention is drawn to the possibility that some of the elements of this document may be the subject of patent rights. CEN [and/or CENELEC] shall not be held responsible for identifying any or all such patent rights.

According to the CEN-CENELEC Internal Regulations, the national standards organisations of the following countries are bound to implement this European Standard: Austria, Belgium, Bulgaria, Croatia, Cyprus, Czech Republic, Denmark, Estonia, Finland, Former Yugoslav Republic of Macedonia, France, Germany, Greece, Hungary, Iceland, Ireland, Italy, Latvia, Lithuania, Luxembourg, Malta, Netherlands, Norway, Poland, Portugal, Romania, Slovakia, Slovenia, Spain, Sweden, Switzerland, Turkey and the United Kingdom.

Introduction

On the market, a series of geometries (outside threaded pipe G $\frac{3}{4}$ A with inside cone and counter geometries), e.g. under the designation "eurocone", is commonly used. These geometries, however, are compatible with each other only to a limited degree. Therefore, this European Standard is intended to achieve a unification of detachable connections with outside threaded pipe G $\frac{3}{4}$ A and inside cone.

Significant known applications are:

- connection geometries of radiators with integrated valves;
- connection geometries of connection fittings and bypass connection fittings on radiators with integrated valves;
- connection geometries of ascension pipe valves for standard radiators;
- connection geometries of heating circuit distributors to underfloor heatings and radiator connection systems;
- interface between radiator nipple and thermostatic valve or lockshield valve.

Detachable connections with the outside threaded pipe G $\frac{3}{4}$ A are normally made of metallic materials. Further variants are possible.

So far, the designation "eurocone" has conveyed the impression that there is a standardised geometry. However, this is not the case, i.e. the screw in or thread lengths, the cone angles and diameters, as well as the diameter of the inner cylinder differ frequently. Furthermore, the following variants are commonly used:

- spherical or tapered cone;
- cones with and without inserted sealing material;
- sealing principles inside the cylindrical part of the geometry comprising O rings;
- O rings within the slope of the cone (O rings offered by different providers are designed for different press fits); and
- sealings without additional sealing material (metallic sealing).

1 Scope

This European Standard applies to detachable connections with outside threaded pipe G $\frac{3}{4}$ A in accordance with EN ISO 228-1. These are used in the field of heating and cooling emission systems at the following hydraulic connection points: connection between radiators or circuit distributors and the respective pipe. Another connection point, for radiators with integrated valve sets, is the screw connection to the connection fitting or to the screw connection itself.

This European Standard specifies the dimensions for the single and the double connection.

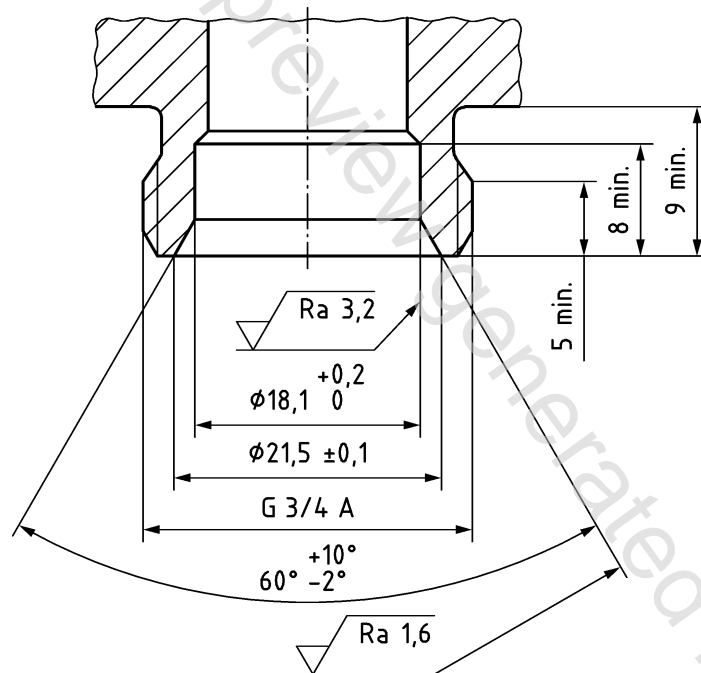
2 Normative references

Not applicable.

3 Dimensions and designs

Dimensions in millimetres

Surface roughness in micrometres



Key

Ra = roughness

Figure 1 — Detachable connections with outside threaded pipe G $\frac{3}{4}$ A and thread undercut