

**Ehituskonstruksioonide koormused.
Osa 4: Puiste- ja vedelikmahutite
koormused. EI SISALDA RAHVUSLIKKU
LISA**

Eurocode 1 - Actions on structures - Part 4: Silos
and tanks

EESTI STANDARDI EESSÕNA

NATIONAL FOREWORD

<p>Käesolev Eesti standard EVS-EN 1991-4:2006 sisaldab rahvusvahelise standardi ingliskeelset teksti.</p> <p>Käesolev dokument on jõustatud 31.07.2006 ja selle kohta on avaldatud teade Eesti standardiorganisatsiooni ametlikus väljaandes.</p> <p>Standard on kättesaadav Eesti standardiorganisatsioonist.</p>	<p>This Estonian standard EVS-EN 1991-4:2006 consists of the English text of the international standard .</p> <p>This document is endorsed on 31.07.2006 with the notification being published in the official publication of the Estonian national standardisation organisation.</p> <p>The standard is available from Estonian standardisation organisation.</p>
--	--

<p>Käsitlusala: EN 1991 provides general principles and actions for the structural design of buildings and civil engineering works including some geotechnical aspects and shall be used in conjunction with EN 1990 and EN 1992-1999.</p>	<p>Scope: EN 1991 provides general principles and actions for the structural design of buildings and civil engineering works including some geotechnical aspects and shall be used in conjunction with EN 1990 and EN 1992-1999.</p>
---	---

ICS 91.010.30

Võtmesõnad: arvutusreeglid, ehitised, kandekonstruktsioonid, koormused, projekteerimine, puistemahutid, reservuaarid, vedelikumahutid

English Version

Eurocode 1 - Actions on structures - Part 4: Silos and tanksEurocode 1 - Actions sur les structures - Partie 4: Silos et
réservoirsEurocode 1 - Grundlagen der Tragwerksplanung und
Einwirkungen auf Tragwerke - Teil 4: Silos und
Flüssigkeitsbehälter

This European Standard was approved by CEN on 12 October 2005.

CEN members are bound to comply with the CEN/CENELEC Internal Regulations which stipulate the conditions for giving this European Standard the status of a national standard without any alteration. Up-to-date lists and bibliographical references concerning such national standards may be obtained on application to the Central Secretariat or to any CEN member.

This European Standard exists in three official versions (English, French, German). A version in any other language made by translation under the responsibility of a CEN member into its own language and notified to the Central Secretariat has the same status as the official versions.

CEN members are the national standards bodies of Austria, Belgium, Cyprus, Czech Republic, Denmark, Estonia, Finland, France, Germany, Greece, Hungary, Iceland, Ireland, Italy, Latvia, Lithuania, Luxembourg, Malta, Netherlands, Norway, Poland, Portugal, Romania, Slovakia, Slovenia, Spain, Sweden, Switzerland and United Kingdom.

EUROPEAN COMMITTEE FOR STANDARDIZATION
COMITÉ EUROPÉEN DE NORMALISATION
EUROPÄISCHES KOMITEE FÜR NORMUNG**Management Centre: rue de Stassart, 36 B-1050 Brussels**

CONTENTS	Page
FOREWORD	5
BACKGROUND OF THE EUROCODE PROGRAMME	5
STATUS AND FIELD OF APPLICATION OF EUROCODES	6
NATIONAL STANDARDS IMPLEMENTING EUROCODES	6
LINKS BETWEEN EUROCODES AND HARMONIZED TECHNICAL SPECIFICATIONS (ENS AND ETAS) FOR PRODUCTS	7
ADDITIONAL INFORMATION SPECIFIC TO EN1991-4	7
NATIONAL ANNEX FOR EN1991-4	7
SECTION 1 GENERAL	8
1.1 SCOPE	8
1.1.1 Scope of EN 1991 - Eurocode 1	8
1.1.2 Scope of EN 1991-4 actions on structures: silos and tanks.....	8
1.2 NORMATIVE REFERENCES	10
1.3 ASSUMPTIONS	11
1.4 DISTINCTION BETWEEN PRINCIPLES AND APPLICATION RULES	11
1.5 DEFINITIONS	11
1.6 SYMBOLS USED IN PART 4 OF EUROCODE 1	15
1.6.1 Roman upper case letters	15
1.6.2 Roman lower case letters	16
1.6.3 Greek upper case letters	19
1.6.4 Greek lower case letters	20
1.6.5 Subscripts.....	21
SECTION 2 REPRESENTATION AND CLASSIFICATION OF ACTIONS	22
2.1 REPRESENTATION OF ACTIONS ON SILOS	22
2.2 REPRESENTATION OF ACTIONS ON TANKS	23
2.3 CLASSIFICATION OF ACTIONS ON SILOS	23
2.4 CLASSIFICATION OF ACTIONS ON TANKS	23
2.5 ACTION ASSESSMENT CLASSIFICATION	23
SECTION 3 DESIGN SITUATIONS	25
3.1 GENERAL	25
3.2 DESIGN SITUATIONS FOR STORED SOLIDS IN SILOS	25
3.3 DESIGN SITUATIONS FOR DIFFERENT SILO GEOMETRICAL ARRANGEMENTS	26
3.4 DESIGN SITUATIONS FOR SPECIFIC CONSTRUCTION FORMS	31
3.5 DESIGN SITUATIONS FOR STORED LIQUIDS IN TANKS	32
3.6 PRINCIPLES FOR DESIGN FOR EXPLOSIONS	32
SECTION 4 PROPERTIES OF PARTICULATE SOLIDS	33
4.1 GENERAL	33
4.2 PARTICULATE SOLIDS PROPERTIES	34
4.2.1 General.....	34
4.2.2 Testing and evaluation of solids properties.....	35
4.2.3 Simplified approach.....	36
4.3 TESTING PARTICULATE SOLIDS	36
4.3.1 Test procedures	36
4.3.2 Bulk unit weight γ	37
4.3.3 Coefficient of wall friction μ	37
4.3.4 Angle of internal friction ϕ_1	37
4.3.5 Lateral pressure ratio K	37
4.3.6 Cohesion c	38
4.3.7 Patch load solid reference factor C_{op}	38
SECTION 5 LOADS ON THE VERTICAL WALLS OF SILOS	40
5.1 GENERAL	40
5.2 SLENDER SILOS	40

5.2.1	Filling loads on vertical walls	40
5.2.2	Discharge loads on vertical walls	45
5.2.3	Substitute uniform pressure increase for filling and discharge patch loads	50
5.2.4	Discharge loads for circular silos with large outlet eccentricities	51
5.3	SQUAT AND INTERMEDIATE SLENDERNESS SILOS	56
5.3.1	Filling loads on vertical walls	56
5.3.2	Discharge loads on vertical walls	58
5.3.3	Large eccentricity filling loads in squat and intermediate circular silos	60
5.3.4	Large eccentricity discharge loads in squat and intermediate circular silos	61
5.4	RETAINING SILOS	61
5.4.1	Filling loads on vertical walls	61
5.4.2	Discharge loads on vertical walls	62
5.5	SILOS CONTAINING SOLIDS WITH ENTRAINED AIR	63
5.5.1	General	63
5.5.2	Loads in silos containing fluidized solids	63
5.6	THERMAL DIFFERENTIALS BETWEEN STORED SOLIDS AND THE SILO STRUCTURE	63
5.6.1	General	63
5.6.2	Pressures due to reduction in ambient atmospheric temperature	64
5.6.3	Pressures due to filling with hot solids	65
5.7	LOADS IN RECTANGULAR SILOS	65
5.7.1	Rectangular silos	65
5.7.2	Silos with internal ties	65
SECTION 6 LOADS ON SILO HOPPERS AND SILO BOTTOMS		66
6.1	GENERAL	66
6.1.1	Physical properties	66
6.1.2	General rules	67
6.2	FLAT BOTTOMS	69
6.2.1	Vertical pressures on flat bottoms in slender silos	69
6.2.2	Vertical pressures on flat bottoms in squat and intermediate silos	69
6.3	STEEP HOPPERS	70
6.3.1	Mobilized friction	70
6.3.2	Filling loads	71
6.3.3	Discharge loads	71
6.4	SHALLOW HOPPERS	72
6.4.1	Mobilized friction	72
6.4.2	Filling loads	73
6.4.3	Discharge loads	73
6.5	HOPPERS IN SILOS CONTAINING SOLIDS WITH ENTRAINED AIR	73
SECTION 7 LOADS ON TANKS FROM LIQUIDS		74
7.1	GENERAL	74
7.2	LOADS DUE TO STORED LIQUIDS	74
7.3	LIQUID PROPERTIES	74
7.4	SUCTION DUE TO INADEQUATE VENTING	74
ANNEX A		75
BASIS OF DESIGN - SUPPLEMENTARY PARAGRAPHS TO EN 1990 FOR SILOS AND TANKS		75
A.1	General	75
A.2	Ultimate limit state	75
A.3	Actions for combination	75
A.4	Design situations and action combinations for Action Assessment Classes 2 and 3	76
A.5	Action combinations for Action Assessment Class 1	78
ANNEX B		79
ACTIONS, PARTIAL FACTORS AND COMBINATIONS OF ACTIONS ON TANKS		79
B.1	General	79
B.2	Actions	79
B.3	Partial factors for actions	81
B.4	Combination of actions	81

ANNEX C	82
MEASUREMENT OF PROPERTIES OF SOLIDS FOR SILO LOAD EVALUATION.....	82
C.1 Object.....	82
C.2 Field of application.....	82
C.3 Notation.....	82
C.4 Definitions.....	83
C.5 Sampling and preparation of samples.....	83
C.6 Bulk unit weight γ	84
C.7 Wall friction.....	85
C.8 Lateral pressure ratio K	87
C.9 Strength parameters: cohesion c and internal friction angle ϕ_1	88
C.10 Effective elastic modulus E_s	91
C.11 Assessment of the upper and lower characteristic values of a property and determination of the conversion factor a	94
ANNEX D	97
EVALUATION OF PROPERTIES OF SOLIDS FOR SILO LOAD EVALUATION.....	97
D.1 Object.....	97
D.2 Evaluation of the wall friction coefficient for a corrugated wall.....	97
D.3 Internal and wall friction for coarse-grained solids without fines.....	98
ANNEX E	99
VALUES OF THE PROPERTIES OF PARTICULATE SOLIDS.....	99
E.1 General.....	99
E.2 Defined values.....	99
ANNEX F	100
FLOW PATTERN DETERMINATION.....	100
F.1 Mass and funnel flow.....	100
ANNEX G	101
ALTERNATIVE RULES FOR PRESSURES IN HOPPERS.....	101
G.1 General.....	101
G.2 Notation.....	101
G.3 Definitions.....	101
G.4 Design situations.....	101
G.5 Evaluation of the bottom load multiplier C_b	101
G.6 Filling pressures on flat and nearly-flat bottoms.....	102
G.7 Filling pressures in hoppers.....	102
G.8 Discharge pressures on flat or nearly-flat bottoms.....	103
G.9 Discharge pressures on hoppers.....	103
G.10 Alternative expression for the discharge hopper pressure ratio F_e	103
ANNEX H	105
ACTIONS DUE TO DUST EXPLOSIONS.....	105
H.1 General.....	105
H.2 Scope.....	105
H.3 Notation.....	105
H.4 Explosive dusts and relevant properties.....	105
H.5 Ignition sources.....	105
H.6 Protecting precautions.....	106
H.7 Design of structural elements.....	106
H.8 Design pressure.....	106
H.9 Design for underpressure.....	106
H.10 Design of venting devices.....	107
H.11 Reaction forces by venting.....	107

Foreword

This document (EN 1991-4:2006) has been prepared by Technical Committee CEN/TC250 “Structural Eurocode”, the secretariat of which is held by BSI.

This document shall be given the status of a national standard, either by publication of an identical text or by endorsement, at the latest by November 2006, and conflicting national standards shall be withdrawn at the latest by March 2010.

This document supersedes ENV 1991-4:1995.

According to the CEN/CENELEC Internal Regulations, the national standards organizations of the following countries are bound to implement this European Standard: Austria, Belgium, Cyprus, Czech Republic, Denmark, Estonia, Finland, France, Germany, Greece, Hungary, Iceland, Ireland, Italy, Latvia, Lithuania, Luxembourg, Malta, Netherlands, Norway, Poland, Portugal, Slovakia, Slovenia, Spain, Sweden, Switzerland and the United Kingdom.

Background of the Eurocode programme

In 1975, the Commission of the European Community decided on an action programme in the field of construction, based on Article 95 of the Treaty. The objective of the programme was the elimination of technical obstacles to trade and the harmonization of technical specifications.

Within this action programme, the Commission took the initiative to establish a set of harmonized technical rules for the design of construction works which, in a first stage, would serve as an alternative to the national rules in force in the Member States and, ultimately, would replace them.

For fifteen years, the Commission, with the help of a Steering Committee with Representatives of Member States, conducted the development of the Eurocodes programme, which led to the first generation of European codes in the 1980s.

In 1989, the Commission and the Member States of the EU and EFTA decided, on the basis of an agreement¹⁾ between the Commission and CEN, to transfer the preparation and the publication of the Eurocodes to the CEN through a series of Mandates, in order to provide them with a future status of European Standard (EN). This links *de facto* the Eurocodes with the provisions of all the Council’s Directives and/or Commission’s Decisions dealing with European standards (e.g. the Council Directive 89/106/EEC on construction products CPD and Council Directives 93/37/EEC, 92/50/EEC and 89/440/EEC on public works and services and equivalent EFTA Directives initiated in pursuit of setting up the internal market).

The Structural Eurocode programme comprises the following standards generally consisting of a number of parts:

EN1990	Eurocode: Basis of structural design
EN1991	Eurocode 1: Actions on structures
EN1992	Eurocode 2: Design of concrete structures
EN1993	Eurocode 3: Design of steel structures
EN1994	Eurocode 4: Design of composite steel and concrete structures
EN1995	Eurocode 5: Design of timber structures
EN1996	Eurocode 6: Design of masonry structures
EN1997	Eurocode 7: Geotechnical design
EN1998	Eurocode 8: Design of structures for earthquake resistance
EN1999	Eurocode 9: Design of aluminium structures

¹⁾ Agreement between the Commission of the European Communities and the European Committee for Standardisation (CEN) concerning the work on Eurocodes for the design of building and civil engineering works (BC/CEN/03/89).

Eurocode standards recognize the responsibility of regulatory authorities in each Member State and have safeguarded their right to determine values related to regulatory safety matters at national level where these continue to vary from State to State.

Status and field of application of Eurocodes

The Member States of the EU and EFTA recognize that Eurocodes serve as reference documents for the following purposes:

- as a means to prove compliance of building and civil engineering works with the essential requirements of Council Directive 89/106/EEC, particularly Essential Requirement N°1 Mechanical resistance and stability and Essential Requirement N°2 Safety in case of fire;
- as a basis for specifying contracts for construction works and related engineering services;
- as a framework for drawing up harmonized technical specifications for construction products (ENs and ETAs).

The Eurocodes, as far as they concern the construction works themselves, have a direct relationship with the Interpretative Documents²⁾ referred to in Article 12 of the CPD, although they are of a different nature from harmonized product standards³⁾. Therefore, technical aspects arising from the Eurocodes work need to be adequately considered by CEN Technical Committees and/or EOTA Working Groups working on product standards with a view to achieving full compatibility of these technical specifications with the Eurocodes.

The Eurocode standards provide common structural design rules for everyday use for the design of whole structures and component products of both a traditional and an innovative nature. Unusual forms of construction or design conditions are not specifically covered and additional expert consideration will be required by the designer in such cases.

National Standards implementing Eurocodes

The National Standards implementing Eurocodes will comprise the full text of the Eurocode (including any annexes), as published by CEN, which may be preceded by a National title page and National foreword, and may be followed by a National Annex.

The National Annex may only contain information on those parameters which are left open in the Eurocode for national choice, known as Nationally Determined Parameters, to be used for the design of buildings and civil engineering works to be constructed in the country concerned, i.e.:

- values and/or classes where alternatives are given in the Eurocode,
- values to be used where a symbol only is given in the Eurocode,
- country specific data (geographical, climatic, etc), e.g. snow map,
- the procedure to be used where alternative procedures are given in the Eurocode.

It may also contain:

²⁾ According to Article 3.3 of the CPD, the essential requirements (ERs) shall be given concrete form in interpretative documents for the creation of the necessary links between the essential requirements and the mandates for harmonized ENs and ETAGs/ETAs.

³⁾ According to Article 12 of the CPD the interpretative documents shall:

- a) give concrete form to the essential requirements by harmonizing the terminology and the technical bases and indicating classes or levels for each requirement where necessary;
- b) indicate methods of correlating these classes or levels of requirement with the technical specifications, e.g. methods of calculation and of proof, technical rules for project design, etc.;
- c) serve as a reference for the establishment of harmonized standards and guidelines for European technical approvals.

The Eurocodes, *de facto*, play a similar role in the field of the ER 1 and a part of ER 2.

- decisions on the application of informative annexes,
- references to non-contradictory complementary information to assist the user to apply the Eurocode.

Links between Eurocodes and harmonized technical specifications (ENs and ETAs) for products

There is a need for consistency between the harmonized technical specifications for construction products and the technical rules for works⁴⁾. Furthermore, all the information accompanying the CE Marking of the construction products which refer to Eurocodes shall clearly mention which Nationally Determined Parameters have been taken into account.

Additional information specific to EN1991-4

EN 1991-4 gives design guidance for the assessment of actions for the structural design of silos and tanks.

EN 1991-4 is intended for clients, designers, contractors and relevant authorities.

EN 1991-4 is intended to be used in conjunction with EN 1990, with the other parts of EN 1991, with EN 1992 and EN 1993, and with the other parts of EN 1994 to EN 1999 relevant to the design of silos and tanks.

National Annex for EN1991-4

This standard gives alternative procedures, values and recommendations for classes with notes indicating where national choices may have to be made. Therefore the National Standard implementing EN 1991-4 should have a National Annex containing all Nationally Determined Parameters to be used for the design of buildings and civil engineering works to be constructed in the relevant country.

National choice is allowed in EN 1991-4 through:

- 2.5 (5)
- 3.6 (2)
- 5.2.4.3.1 (3)
- 5.4.1 (3)
- 5.4.1 (4)
- A.4 (3)
- B.2.14 (1)

⁴⁾ See Article 3.3 and Article 12 of the CPD, as well as clauses 4.2, 4.3.1, 4.3.2 and 5.2 of ID 1.

Section 1 General

1.1 Scope

1.1.1 Scope of EN 1991 - Eurocode 1

(1)P EN 1991 provides general principles and actions for the structural design of buildings and civil engineering works including some geotechnical aspects and shall be used in conjunction with EN 1990 and EN 1992-1999.

(2) EN 1991 also covers structural design during execution and structural design for temporary structures. It relates to all circumstances in which a structure is required to give adequate performance.

(3) EN 1991 is not directly intended for the structural appraisal of existing construction, in developing the design of repairs and alterations or for assessing changes of use.

(4) EN 1991 does not completely cover special design situations which require unusual reliability considerations such as nuclear structures for which specified design procedures should be used.

1.1.2 Scope of EN 1991-4 actions on structures: silos and tanks

(1)P This part provides general principles and actions for the structural design of silos for the storage of particulate solids and tanks for the storage of fluids and shall be used in conjunction with EN 1990, other parts of EN 1991 and EN 1992 to EN 1999.

(2) This part includes some provisions for actions on silo and tank structures that are not only associated with the stored solids or liquids (e.g. the effects of thermal differentials, aspects of the differential settlements of batteries of silos)

(3) The following geometrical limitations apply to the design rules for silos:

- the silo cross-section shapes are limited to those shown in Figure 1.1d, though minor variations may be accepted provided the structural consequences of the resulting changes in pressure are considered;
- the following dimensional limitations apply:

$$h_b/d_c < 10$$

$$h_b < 100 \text{ m}$$

$$d_c < 60 \text{ m}$$

- the transition lies in a single horizontal plane (see Figure 1.1a);
- the silo does not contain an internal structure such as a cone or pyramid with its apex uppermost, cross-beams, etc. However, a rectangular silo may contain internal ties.

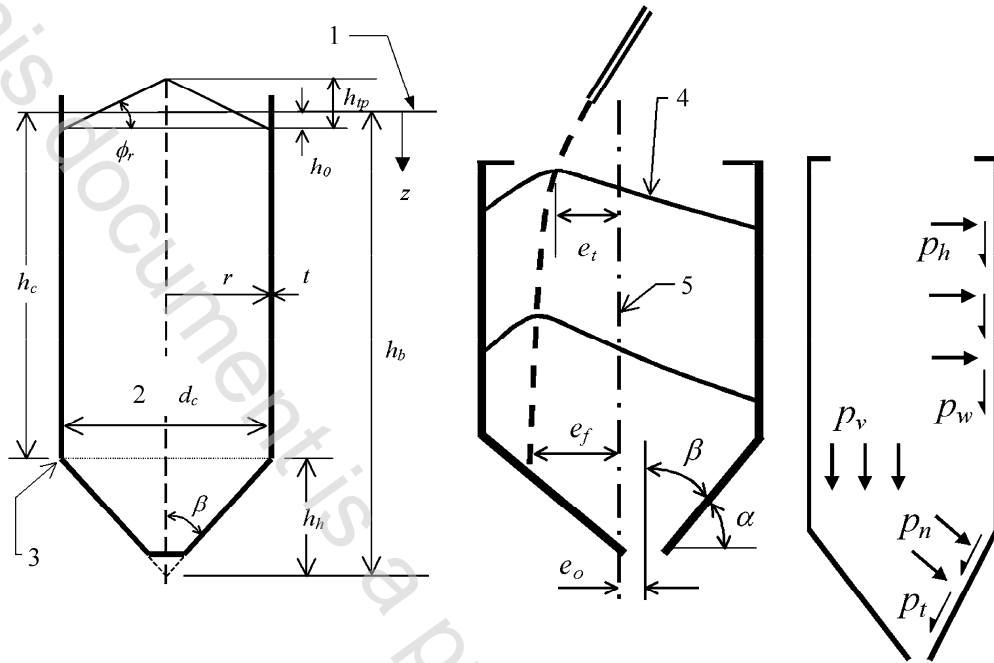
(4) The following limitations on the stored solids apply to the design rules for silos:

- each silo is designed for a defined range of particulate solids properties;
- the stored solid is free-flowing, or the stored solid can be guaranteed to flow freely within the silo container as designed (see 1.5.12 and Annex C);
- the maximum particle diameter of the stored solid is not greater than $0,03d_c$ (see Figure 1.1d).

NOTE: When particles are large compared to the silo wall thickness, account should be taken of the effects of single particles applying local forces on the wall.

(5) The following limitations on the filling and discharge arrangements apply to the design rules for silos:

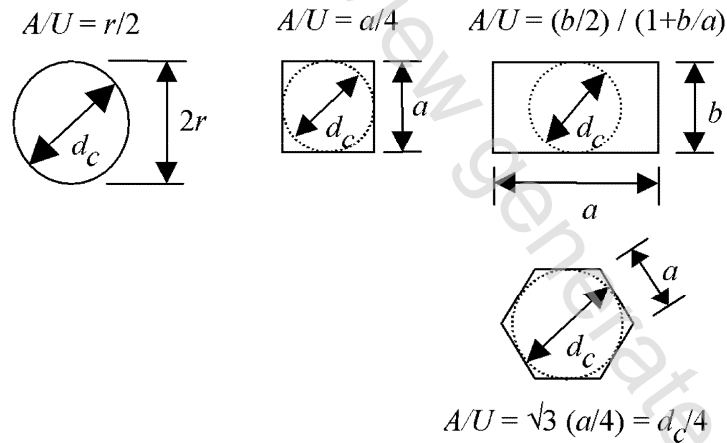
- filling involves only negligible inertia effects and impact loads;
- where discharge devices are used (for example feeders or internal flow tubes) solids flow is smooth and central.



a) Geometry

b) Eccentricities

c) Pressures and tractions



d) Cross-section shapes

Key

- 1 Equivalent surface
- 2 Inside dimension
- 3 Transition
- 4 Surface profile for full condition
- 5 Silo centre line

Figure 1.1: Silo forms showing dimensions and pressure notation

- (6) Only hoppers that are conical (i.e. axisymmetric), square pyramidal or wedge-shaped (i.e. with vertical end walls) are covered by this standard. Other hopper shapes and hoppers with internals require special considerations.
- (7) Some silos with a systematically non-symmetric geometry are not specifically covered by this standard. These cases include a chisel hopper (i.e. a wedge hopper beneath a circular cylinder) and a diamond-back hopper.
- (8) The design rules for tanks apply only to tanks storing liquids at normal atmospheric pressure.
- (9) Actions on the roofs of silos and tanks are given in EN 1991-1-1, EN 1991-1-3 to EN 1991-1-7 and EN 1991-3 as appropriate.
- (10) The design of silos for reliable solids discharge is outside the scope of this standard.
- (11) The design of silos against silo quaking, shocks, honking, pounding and silo music is outside the scope of this standard.

NOTE: These phenomena are not well understood, so the use of this standard does not guarantee that they will not occur, or that the structure is adequate to resist them.

1.2 Normative references

This European Standard incorporates, by dated or undated reference, provisions from other publications. These normative references are cited at the appropriate places in the text and the publications are listed hereafter. For dated references, subsequent amendments to or revisions of any of these publications apply to this European Standard only when incorporated in it by amendment or revision. For undated references the latest edition of the publication applies (including amendments).

ISO 3898:1997 Basis of design for structures: Notation. General symbols

NOTE: The following European Standards which are published or in preparation are cited at the appropriate places in the text:

EN 1990 Basis of structural design

EN 1991-1-1 Eurocode 1: Actions on structures: Part 1.1: Densities, self-weight and imposed loads

EN 1991-1-2 Eurocode 1: Actions on structures: Part 1.2: Actions on structures exposed to fire

EN 1991-1-3 Eurocode 1: Actions on structures: Part 1.3: Snow loads

EN 1991-1-4 Eurocode 1: Actions on structures: Part 1.4: Wind actions

EN 1991-1-5 Eurocode 1: Actions on structures: Part 1.5: Thermal actions

EN 1991-1-6 Eurocode 1: Actions on structures: Part 1.6: General actions. Actions during execution

EN 1991-1-7 Eurocode 1: Actions on structures: Part 1.7: Accidental actions

EN 1991-2 Eurocode 1: Actions on structures: Part 2: Traffic loads on bridges

EN 1991-3 Eurocode 1: Actions on structures: Part 3: Actions induced by cranes and machinery

EN 1992 Eurocode 2: Design of concrete structures

EN 1992-4 Eurocode 2: Design of concrete structures: Part 4: Liquid retaining and containment structures

EN 1993 Eurocode 3: Design of steel structures

EN 1993-1-6 Eurocode 3: Design of steel structures: General rules: Part 1.6: Supplementary rules for the strength and stability of shell structures

EN 1993-4-1	Eurocode 3: Design of steel structures: Part 4.1: Silos
EN 1993-4-2	Eurocode 3: Design of steel structures: Part 4.2: Tanks
EN 1994	Eurocode 4: Design of composite steel and concrete structures
EN 1995	Eurocode 5: Design of timber structures
EN 1996	Eurocode 6: Design of masonry structures
EN 1997	Eurocode 7: Geotechnical design
EN 1998	Eurocode 8: Design of structures for earthquake resistance
EN 1999	Eurocode 9: Design of aluminium alloy structures

1.3 Assumptions

(1)P The general assumptions given in EN 1990, 1.3 apply.

1.4 Distinction between principles and application rules

(1) Depending on the character of the individual paragraphs, distinction is made in this part between principles and application rules.

(2) The principles comprise:

- general statements and definitions for which there is no alternative, as well as
- requirements and analytical models for which no alternative is permitted unless specifically stated.

(3) The principles are identified by the letter P following the paragraph number.

(4) The application rules are generally recognized rules which follow the principles and satisfy their requirements.

(5) It is permissible to use alternative rules different from the application rules given in this Eurocode, provided it is shown that the alternative rules accord with the relevant principles and have at least the same reliability.

(6) In this part the application rules are identified by a number in parentheses, e.g. as this paragraph.

1.5 Definitions

For the purposes of this standard, a basic list of definitions is provided in EN 1990, 1.5 and the additional definitions given below are specific to this part.

1.5.1

aerated silo bottom

a silo base in which air slides or air injection is used to activate flow in the bottom of the silo (see figure 3.5b)

1.5.2

characteristic dimension of inside of silo cross-section

the characteristic dimension d_c is the diameter of the largest inscribed circle within the silo cross-section (see Figure 1.1d)

1.5.3

circular silo

a silo whose plan cross-section is circular (see Figure 1.1d)