

---

---

**Tools for moulding — Locating rings —**

Part 2:

**Locating rings for mounting with thermal  
insulating sheets in small or medium  
moulds (types C and D)**

*Outils de moulage — Bagues de centrage —*

*Partie 2: Bagues de centrage pour montage avec feuille d'isolation  
thermique dans les petits et les moyens moules (types C et D)*



**PDF disclaimer**

This PDF file may contain embedded typefaces. In accordance with Adobe's licensing policy, this file may be printed or viewed but shall not be edited unless the typefaces which are embedded are licensed to and installed on the computer performing the editing. In downloading this file, parties accept therein the responsibility of not infringing Adobe's licensing policy. The ISO Central Secretariat accepts no liability in this area.

Adobe is a trademark of Adobe Systems Incorporated.

Details of the software products used to create this PDF file can be found in the General Info relative to the file; the PDF-creation parameters were optimized for printing. Every care has been taken to ensure that the file is suitable for use by ISO member bodies. In the unlikely event that a problem relating to it is found, please inform the Central Secretariat at the address given below.

This document is a preview generated by EVS



**COPYRIGHT PROTECTED DOCUMENT**

© ISO 2007

All rights reserved. Unless otherwise specified, no part of this publication may be reproduced or utilized in any form or by any means, electronic or mechanical, including photocopying and microfilm, without permission in writing from either ISO at the address below or ISO's member body in the country of the requester.

ISO copyright office  
Case postale 56 • CH-1211 Geneva 20  
Tel. + 41 22 749 01 11  
Fax + 41 22 749 09 47  
E-mail [copyright@iso.org](mailto:copyright@iso.org)  
Web [www.iso.org](http://www.iso.org)

Published in Switzerland

## Foreword

ISO (the International Organization for Standardization) is a worldwide federation of national standards bodies (ISO member bodies). The work of preparing International Standards is normally carried out through ISO technical committees. Each member body interested in a subject for which a technical committee has been established has the right to be represented on that committee. International organizations, governmental and non-governmental, in liaison with ISO, also take part in the work. ISO collaborates closely with the International Electrotechnical Commission (IEC) on all matters of electrotechnical standardization.

International Standards are drafted in accordance with the rules given in the ISO/IEC Directives, Part 2.

The main task of technical committees is to prepare International Standards. Draft International Standards adopted by the technical committees are circulated to the member bodies for voting. Publication as an International Standard requires approval by at least 75 % of the member bodies casting a vote.

Attention is drawn to the possibility that some of the elements of this document may be the subject of patent rights. ISO shall not be held responsible for identifying any or all such patent rights.

ISO 10907-2 was prepared by Technical Committee ISO/TC 29, *Small tools*, Subcommittee SC 8, *Tools for pressing and moulding*.

ISO 10907 consists of the following parts, under the general title *Tools for moulding — Locating rings*:

- *Part 1: Locating rings for mounting without thermal insulating sheets in small or medium moulds (types A and B)*
- *Part 2: Locating rings for mounting with thermal insulating sheets in small or medium moulds (types C and D)*

This document is a preview generated by EVS

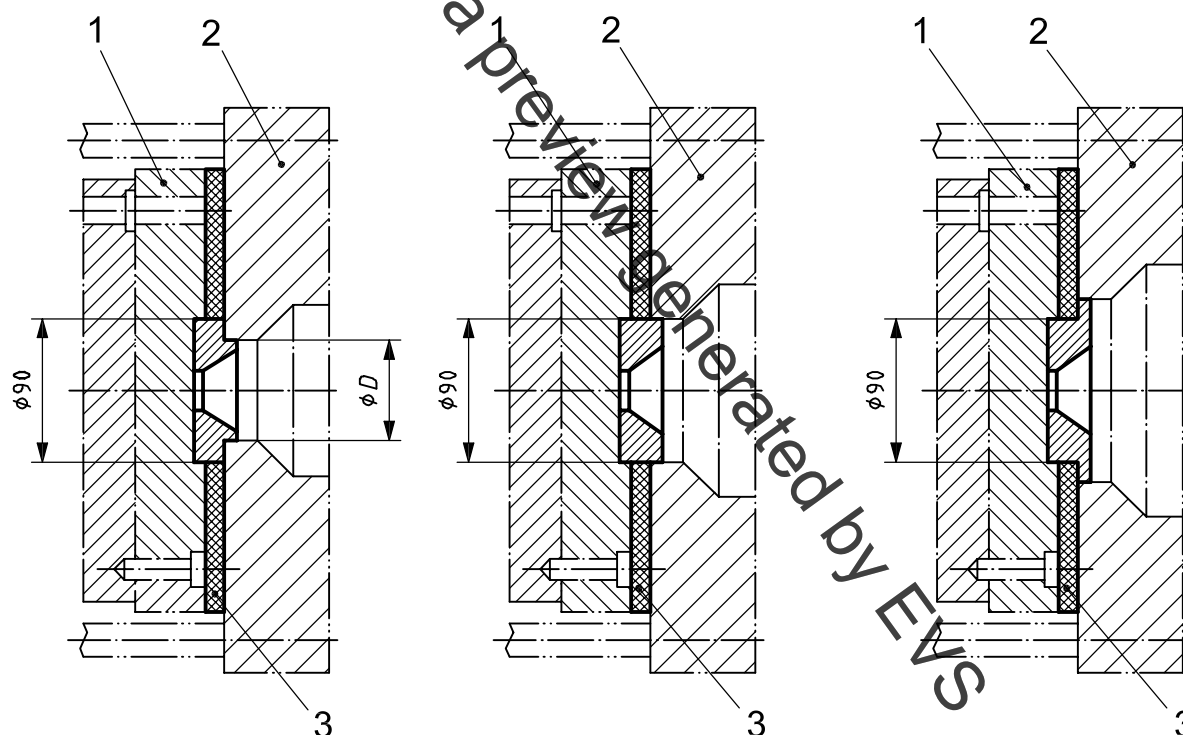
## Tools for moulding — Locating rings —

### Part 2: Locating rings for mounting with thermal insulating sheets in small or medium moulds (types C and D)

#### 1 Scope

This part of ISO 10907 specifies the basic dimensions and tolerances, in millimetres, of locating rings, for the mounting of moulds (see Figure 1) with thermal insulating sheets, suitable for injection moulding machines up to size E12, in accordance with EUPOMAP 2, types C (with bore) and D (without bore).

It also gives material guidelines and hardness requirements, and specifies the designation of the locating rings that conform to it.



#### Key

- 1 mould, fixed half
- 2 machine platen
- 3 thermal insulating sheet (ISO 15600)

Figure 1 — Examples of mounting of locating rings (type C)