



INTERNATIONAL STANDARD ISO 15502:2005
TECHNICAL CORRIGENDUM 1

Published 2007-02-15

INTERNATIONAL ORGANIZATION FOR STANDARDIZATION • МЕЖДУНАРОДНАЯ ОРГАНИЗАЦИЯ ПО СТАНДАРТИЗАЦИИ • ORGANISATION INTERNATIONALE DE NORMALISATION

Household refrigerating appliances — Characteristics and test methods

TECHNICAL CORRIGENDUM 1

Technical Corrigendum 1 to ISO 15502:2005 was prepared by Technical Committee ISO/TC 86, *Refrigeration and air-conditioning*, Subcommittee SC 5, *Testing and rating of household refrigeration appliances*.

Page 1, Normative references

Date and correct the reference to IEC 60335-2-24 by replacing it with the following:

IEC 60335-2-24:2006, *Household and similar electrical appliances — Safety — Part 2-24: Particular requirements for refrigerating appliances, ice-cream appliances and ice-makers*

Delete the footnote.

Page 56, Note to Figure 15

Replace the Note with the following, thereby deleting an incorrect cross-reference to Figure 13:

NOTE The arrangements for cellar compartments also apply to appliances that consist only of a cellar compartment. For different evaporator arrangements in the fresh-food compartment, see also Figure 14.

Page 59, Figure 17

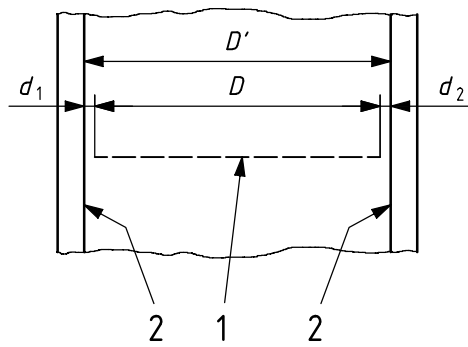
Add “Dimensions in millimetres” to the top right-hand corner of the figure.

Pages 65 and 66, Figures 18 and 19

Replace Figures 18 and 19 with the following, whose legends have been corrected and to which captions have been added.

ICS 97.040.30

Ref. No. ISO 15502:2005/Cor.1:2007(E)



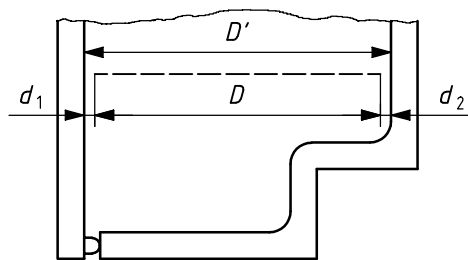
a) Determination of width of shelf

If $d_1 + d_2 \leq 20$ mm:

dimension of shelf = D'

If $d_1 + d_2 > 20$ mm:

dimension of shelf = D



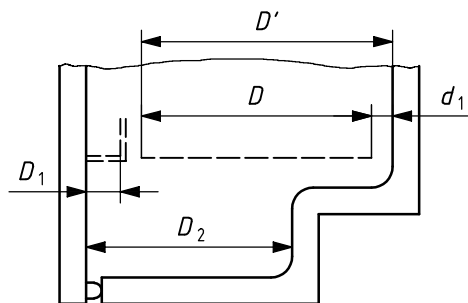
b) Determination of depth of shelf

If $d_1 + d_2 \leq 20$ mm:

dimension of shelf = D'

If $d_1 + d_2 > 20$ mm:

dimension of shelf = D



c) Determination of depth of shelf of upright-type refrigerating appliance

If $d_1 \leq 20$ mm:

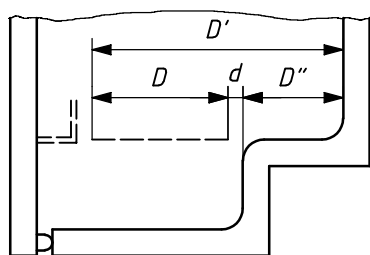
dimension of shelf = D'

If $d_1 > 20$ mm:

dimension of shelf = D

D_1 dimension of door shelf

D_2 dimension of bottom of refrigerating appliance



d) Determination of depth of shelf with juxtaposed parts

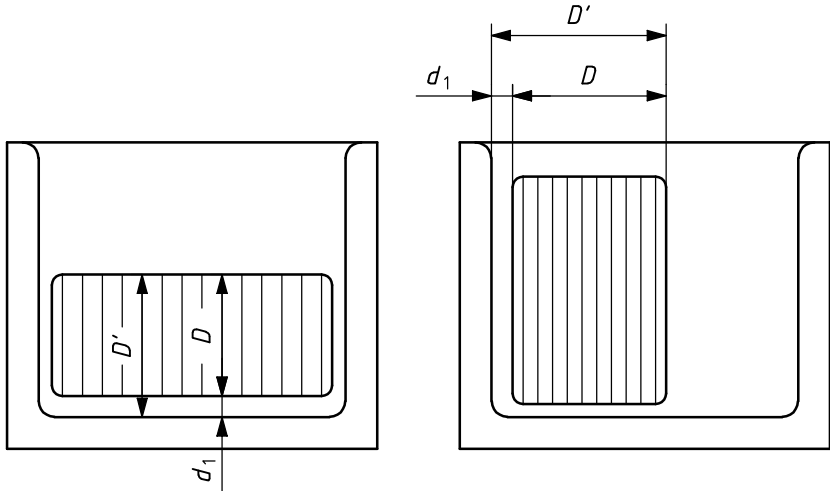
If $d \leq 20$ mm:

dimension of shelf = D'

If $d > 20$ mm:

two shelves of dimensions D and D''

Figure 18 — Examples of determination of dimensions for calculating shelf area (see 7.3)

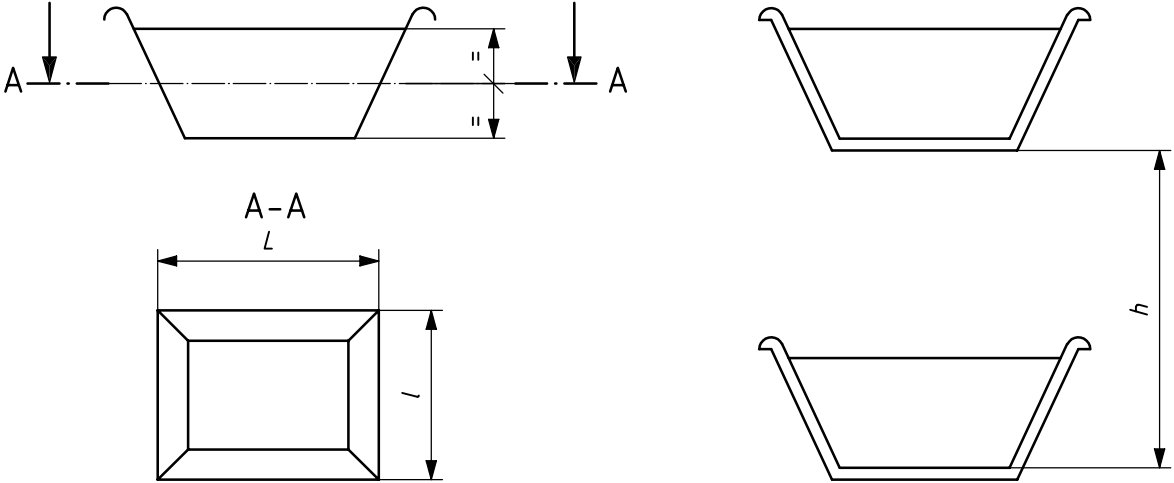


If $d_1 \leq 20$ mm:
 dimension of shelf = D'
 If $d_1 > 20$ mm:
 dimension of shelf = D

e) Determination of width and depth of fractional shelves

- Key**
 1 shelf
 2 inner wall

Figure 18 — Examples of determination of dimensions for calculating shelf area (see 7.3) (continued)



a) Area of basket

b) Vertical clearance above basket

- $h \geq 80$ mm
 $h \geq 52$ mm for any frozen-food storage compartment

Figure 19 — Examples of determination of mean dimensions for calculating basket area (see 7.3.2.6, 7.3.2.7.2 and 7.3.2.7.3)

Page 74, Annex B, B.1

In the definition of *D* given after the formula, correct the cross-reference to the subclause from 3.6.21 to 3.6.20.

Page 81, Bibliography

Change the date of Reference [3] from 1989 to 2004.

Correct the title of Reference [4] to *Household and similar electrical appliances — Safety — Part 1: General requirements*.